

## Industrial Tumble Dryer

T 9



### FEATURES

- Standard stainless steel drum with large diameter
- Easy-to-use microprocessor (ECT)
- Combination of Radial and Axial airflow - RADAX® concept:
  - maximal heat transfer
  - low energy consumption
  - short drying time
- Large door opening for easy loading and unloading

### OPTIONS

- Coin operated version
- Reversing drum
- Full Control programmer (FCT)
- Residual moisture control Sensodry®:
  - safe drying of delicate linen
  - humidity detection in %
  - ideal in combination with SoftWash®
  - ideal for dry cleaners, fire depts
  - available on Easy and Full Control
- Stainless steel front



EXTRA LARGE  
DOOR



STANDARD STAINLESS  
STEEL DRUM



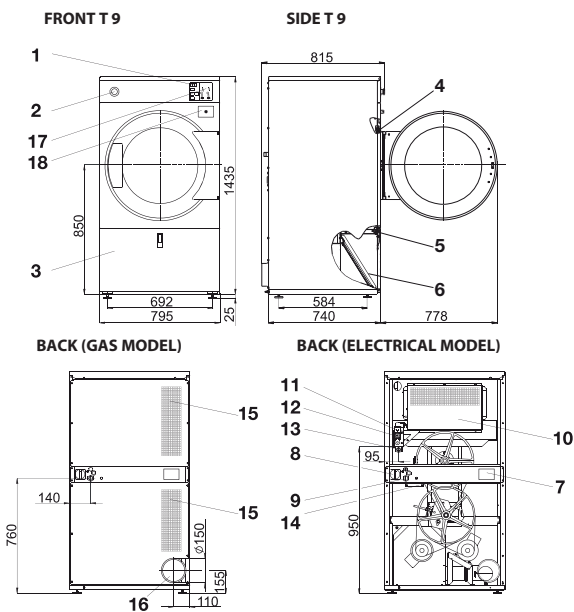
ENERGY EFFICIENT





| TYPE                            |                   | T 9   |
|---------------------------------|-------------------|---|
| <b>CAPACITY</b>                 |                   |   |
| Drum capacity                   | kg/lb             | 9/20  |
| Drum volume                     | l                 | 190   |
| Drum diameter                   | mm                | Ø760  |
| Number of drums                 |                   | 1   |
| Number of loading doors         |                   | 1   |
| <b>AIRFLOW</b>                  | m <sup>3</sup> /h | minimum 356, optimal 450  |
| <b>DRYING AVERAGE</b>           | l/min.            | 0,150   |
| <b>MOTORS</b>                   |                   |   |
| Fan                             | kW                | 0,37  |
| Drive                           | kW                | 0,18  |
| <b>GAS HEATING</b>              |                   |   |
| Gas connection                  | inch              | 3/4"  |
| Electrical connection           |                   | 3×380-415V 50/60Hz<br>3×220-240V 50Hz<br>3×208-240V 60Hz<br>3×440V 60Hz |
| Energy                          | kW<br>kBTU/h      | 12,5<br>42,7  |
| <b>ELECTRICAL HEATING</b>       |                   |   |
| Electrical connection           |                   | 3×380-415V 50/60Hz<br>3×220-240V 50Hz<br>3×208-240V 60Hz<br>3×440V 60Hz |
| Energy                          | kW                | 9/12  |
| <b>PROGRAMMER</b>               |                   |   |
| Easy control - antivandal (ECT) |                   | Standard  |
| Full control (FCT)              |                   | Available   |
| <b>EXHAUST</b>                  | mm                | Ø150  |
| <b>DIMENSIONS</b>               |                   |   |
| Size H×W×D                      | mm                | 1465×795×815  |
| <b>TRANSPORT DATA</b>           |                   |   |
| Gross weight                    | kg                | 180   |
| Net weight                      | kg                | 170   |
| Packed H×W×D                    | mm                | 1570×880×885  |

The data concerning dimensions of machines include all extended parts



1. Programmer
2. Emergency stop button  
(not applicable for version with coin meter)
3. Lint screen cover
4. Door lock microswitch
5. Lint cover microswitch
6. Lint screen
7. Name plate
8. Main switch
9. Main power supply
10. Heating chamber
11. Gas valve (G models only)
12. Pressure regulator (G models only)
13. Gas supply (G models only)
14. Airflow switch
15. Suction
16. Exhaust piping
17. Coin meter (version with coin meter)
18. Coin box (version with coin meter)

The company Primus preserves the right to change the machines and the specification in this leaflet at any time, without prior notice. Details and photographs are only for information and never binding.

[www.primuslaundry.com](http://www.primuslaundry.com)

ISO 9001  
ISO 14001  
BUREAU VERITAS  
Certification

